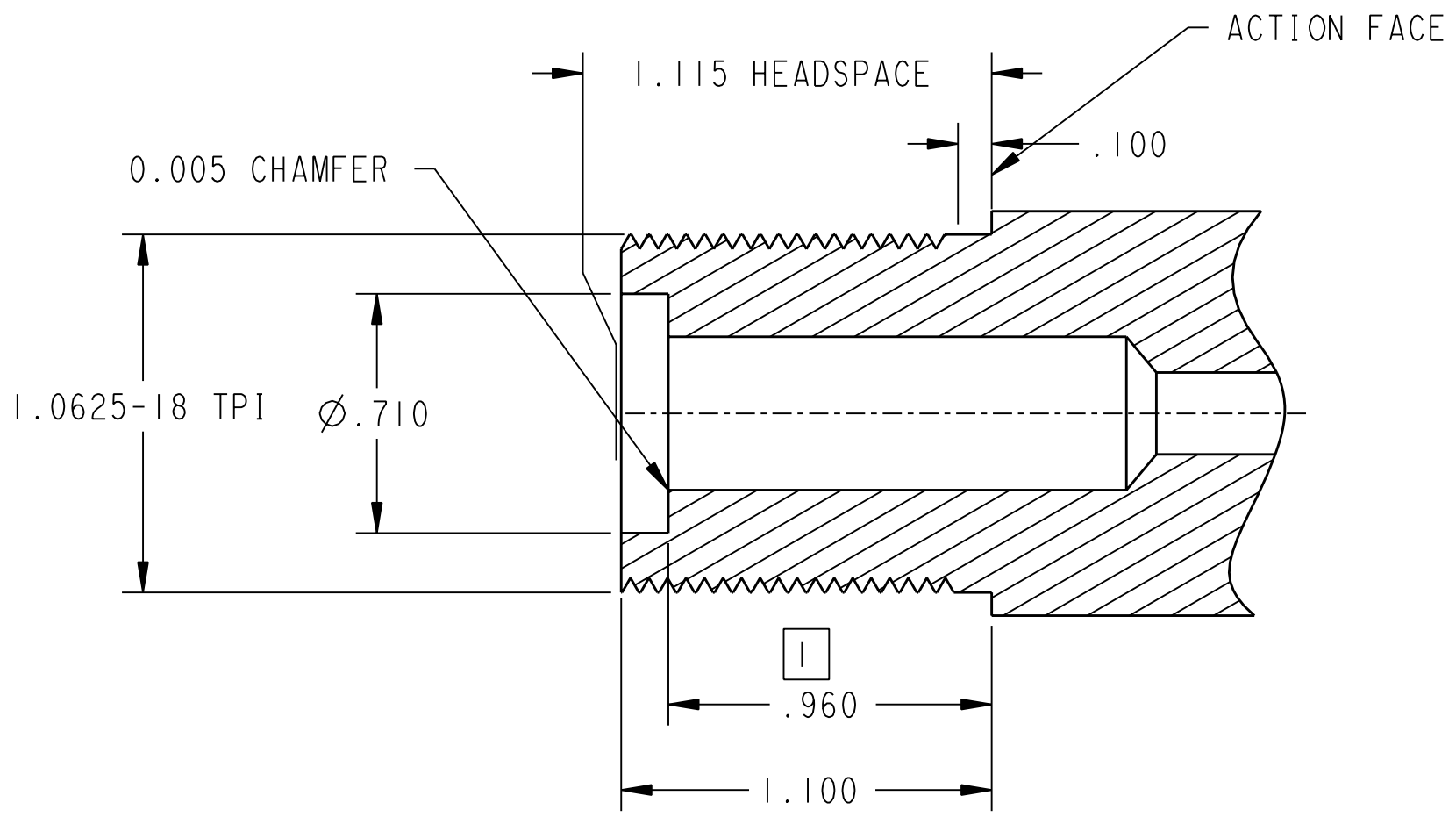


LOT C VIPER/COBRA/DBACK DROP PORT INSTRUCTIONS



[1] LEAVES 0.005 CLEARANCE TO BOLT.
WARNING: EXTRA DISTANCE WILL LEAVE CASE EXPOSED IN THIN AREA ABOVE WEB AND CREATE A SAFETY HAZARD OF CASE HEAD SEPARATION.

BARREL SHANK/CHAMBERING DIMENSIONS
 STILLER'S PRECISION FIREARMS, LLC
 VIPER/COBRA DROP PORT CUSTOM ACTIONS
 UPDATED FOR LOT C ON 6/1/05