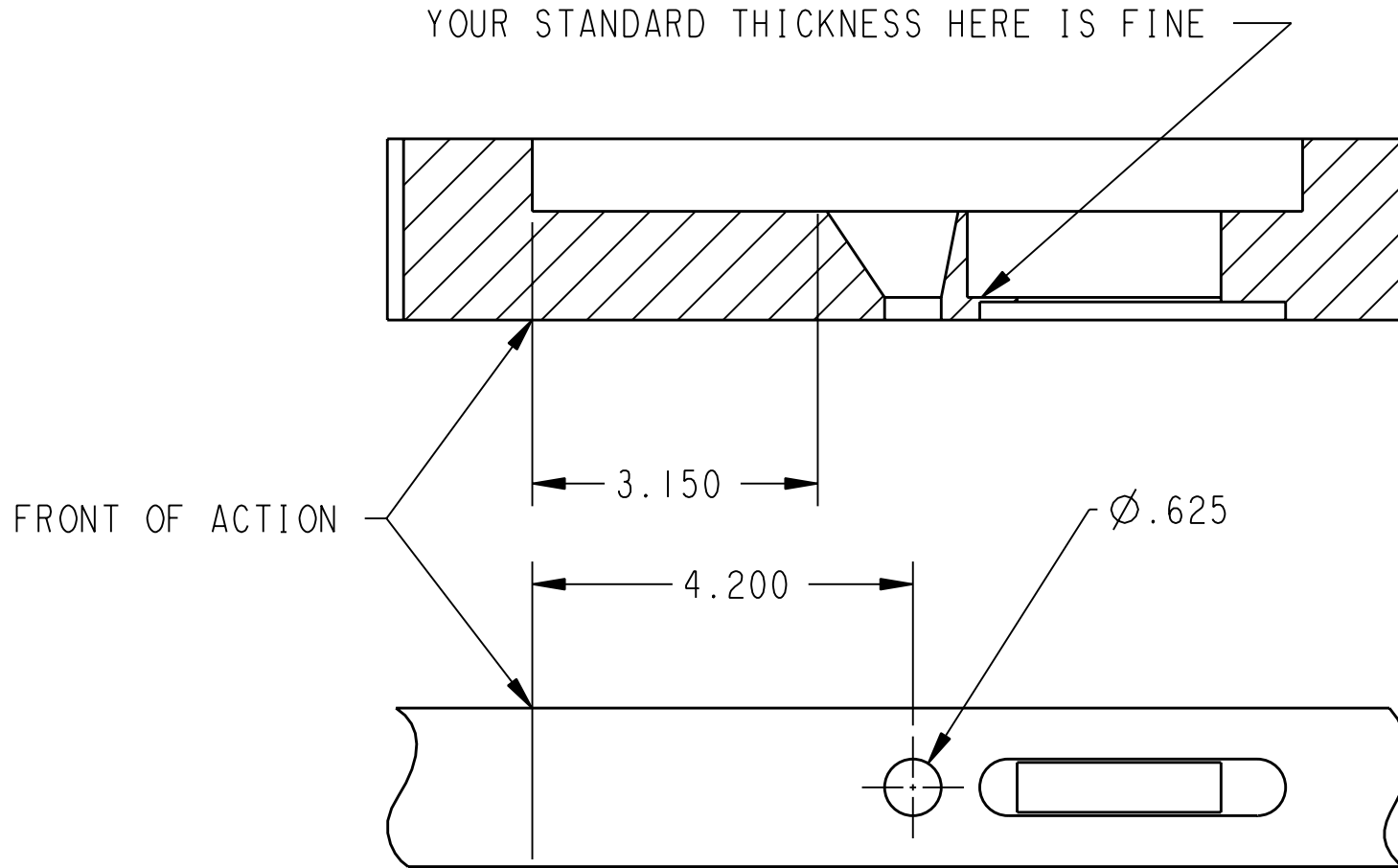


EXTENDED TRIGGER CUTOUT

YOUR STANDARD THICKNESS HERE IS FINE



FRONT OF ACTION

3.150

4.200

$\phi .625$