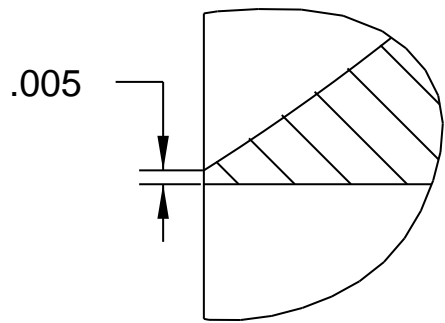


1.050 HEADSPACE  
 NOMINAL DIMENSION  
 MEASURE ACTUAL HS  
 BEFORE INSTALLATION

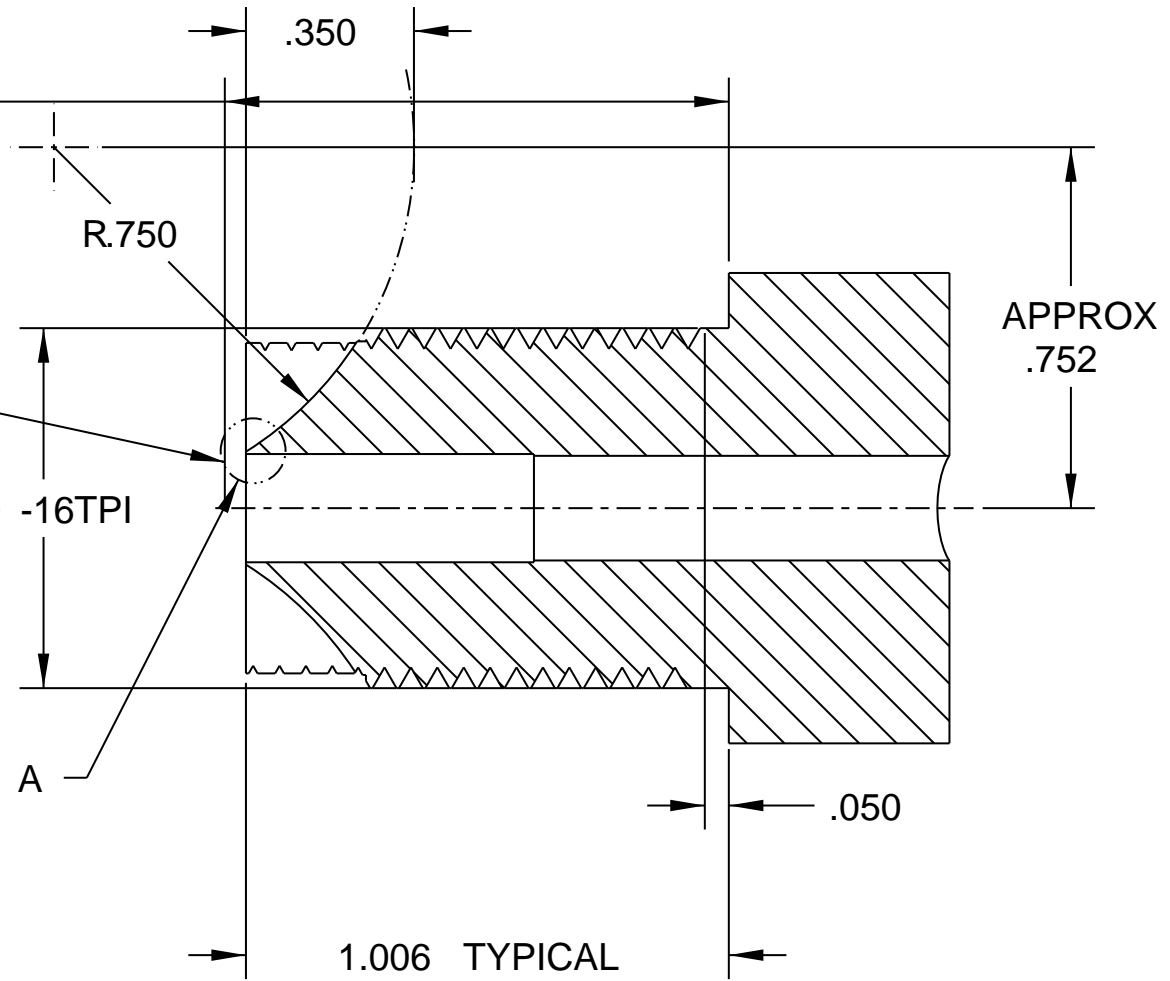


DETAIL A  
 SCALE 15/1

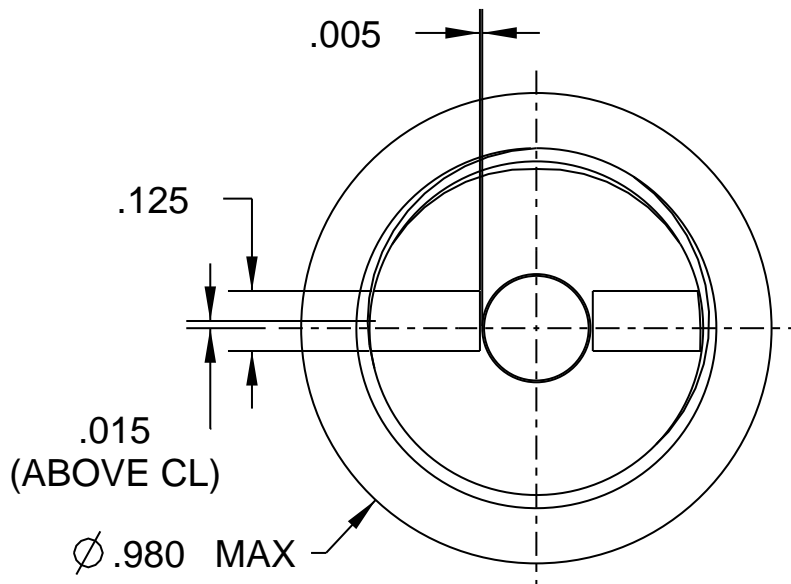
BOLTFACE

.750 -16TPI

SEE VIEW A



1.006 TYPICAL  
 DEPENDS ON ACTION HS  
 MEASUREMENT AND RIM THICKNESS  
 THAT IS DESIRED, 0.044 TYPICAL



BARREL SHANK/CHAMBERING DIMENSIONS  
 STILLER'S PRECISION FIREARMS, LLC  
 2500XR RIMFIRE WITH A SLOTTED BREACH  
 BARREL IS 0.980 MAX DIA USING SMALLER THREAD  
 0.752 AND 0.350 DIMENSIONS APPLY  
 TO 1.50 DIAMETER SLITTING SAW, MSC HAS  
 AVAILABILITY IN 0.125 THICK AND 0.75 ARBOR