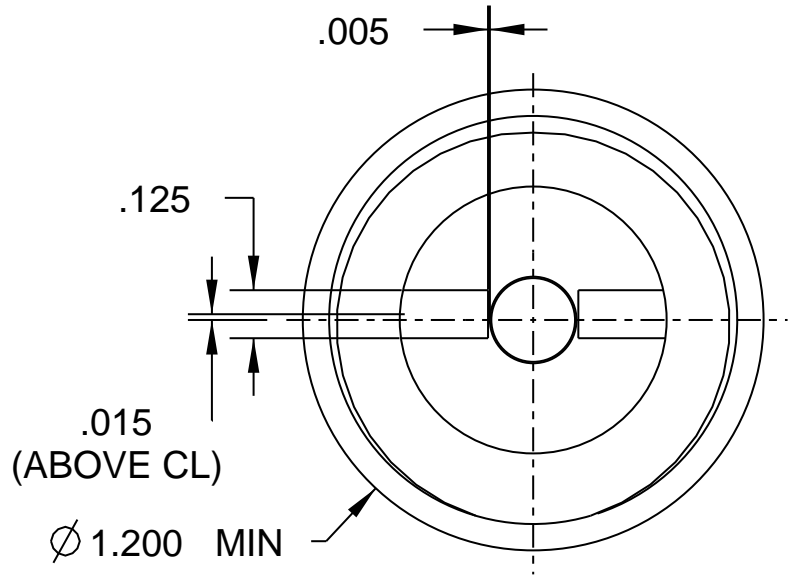


2.006 TYPICAL
DEPENDS ON ACTION HS
MEASUREMENT AND RIM THICKNESS
THAT IS DESIRED, 0.044 TYPICAL,
LUG ADDS THICKNESS



BARREL SHANK/CHAMBERING DIMENSIONS
STILLER'S PRECISION FIREARMS, LLC
2500XR RIMFIRE WITH A SLOTTED BREACH
BARREL IS 1.200 MIN DIA USING LARGER THREAD
0.752 AND 0.350 DIMENSIONS APPLY
TO 1.50 DIAMETER SLITTING SAW, MSC HAS
AVAILABILITY IN 0.125 THICK AND 0.75 ARBOR