

1.050 HEADSPACE  
NOMINAL DIMENSION  
MEASURE ACTUAL HS  
BEFORE INSTALLING BARREL

R.750

.350

APPROX  
.752

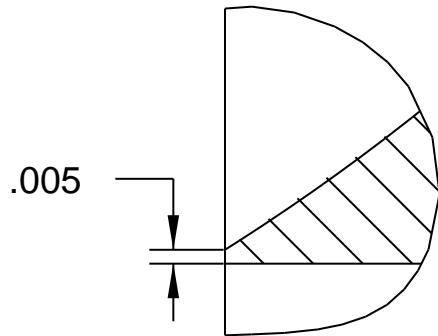
BOLTFACE

.750 -16TPI

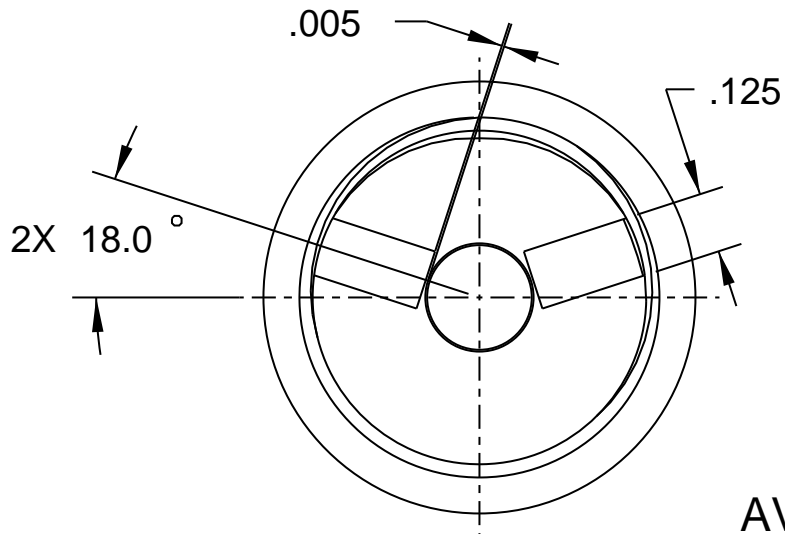
SEE VIEW A

.050

1.006 TYPICAL  
DEPENDS ON ACTION HS  
MEASUREMENT AND RIM THICKNESS  
THAT IS DESIRED, 0.044 TYPICAL



DETAIL A  
SCALE 15/1



BARREL SHANK/CHAMBERING DIMENSIONS  
STILLER'S PRECISION FIREARMS, LLC  
2500X RIMFIRE WITH A SLOTTED BREACH  
0.752 AND 0.350 DIMENSIONS APPLY  
TO 1.50 DIAMETER SLITTING SAW, MSC HAS  
AVAILABILITY IN 0.125 THICK AND 0.75 ARBOR