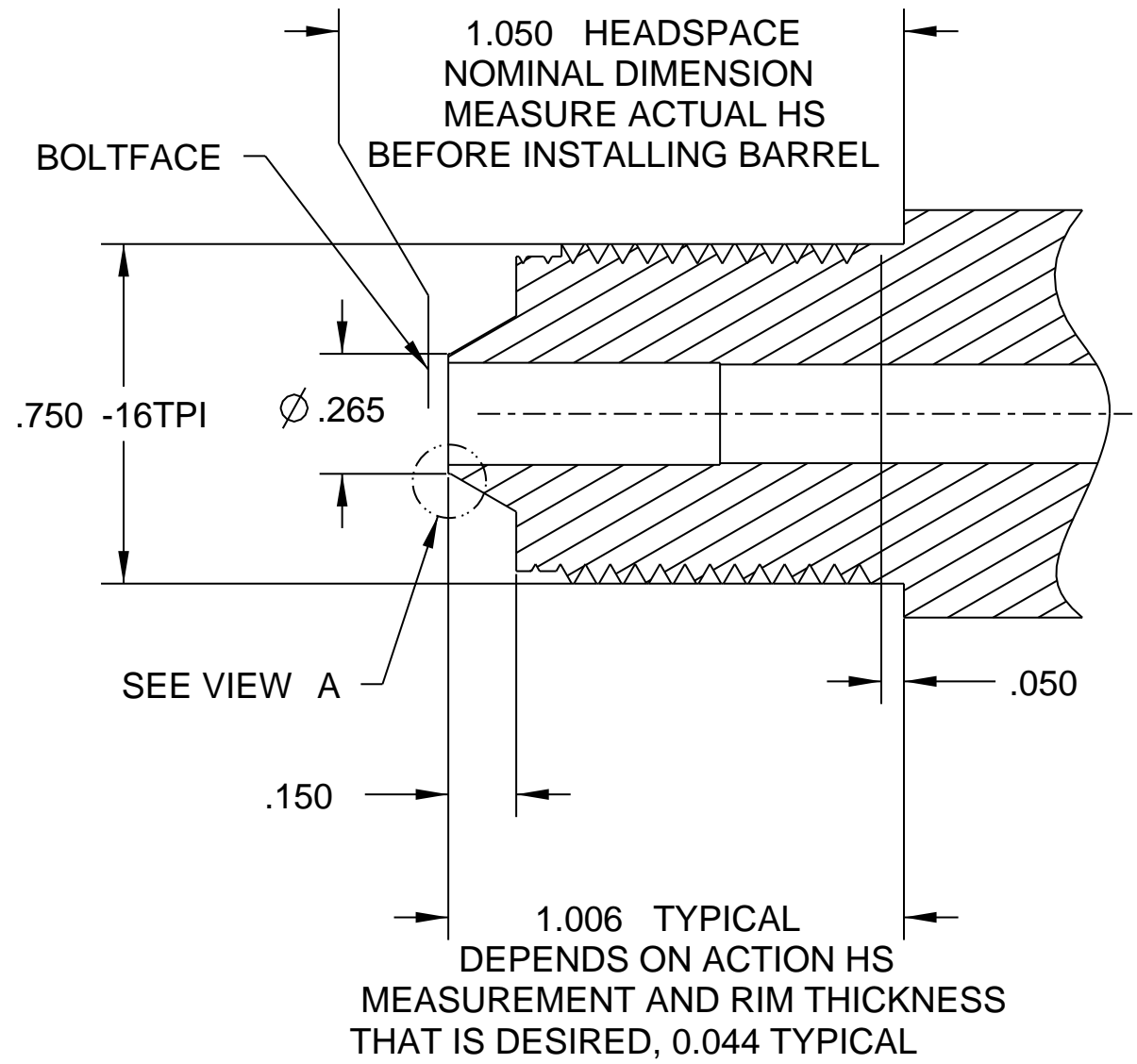


VIEW A  
SCALE 15/1



BARREL SHANK/CHAMBERING DIMENSIONS  
STILLER'S PRECISION FIREARMS, LLC  
2500X RIMFIRE WITH A CONED BREACH